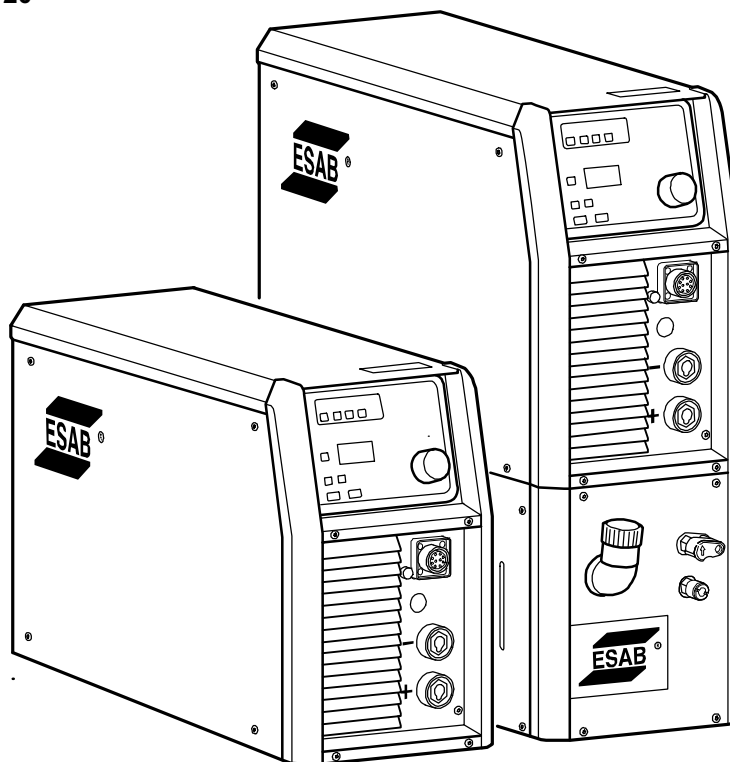


**Spare parts list**

**Edition 20110720**



**Valid for serial no. 840-xxx-xxxx,950-xxx-xxxx,039-xxx-xxxx**

**Ordering no. Product**

- 0459 745 883 Origo™ Tig 3001i TA23
- 0459 745 884 Origo™ Tig 3001iw TA23
- 0459 745 885 Origo™ Tig 3001i TA24
- 0459 745 886 Origo™ Tig 3001iw TA23

**Filename Product**

- 0459 839 030 Spare parts list for cooling unit CoolMidi 1000
- 0459 839 003 Spare parts list for Origo™ TA23, Origo™ TA24

Spare parts are to be ordered through the nearest ESAB agency. Kindly indicate type of unit, serial number, denominations and ordering numbers according to the spare parts list.

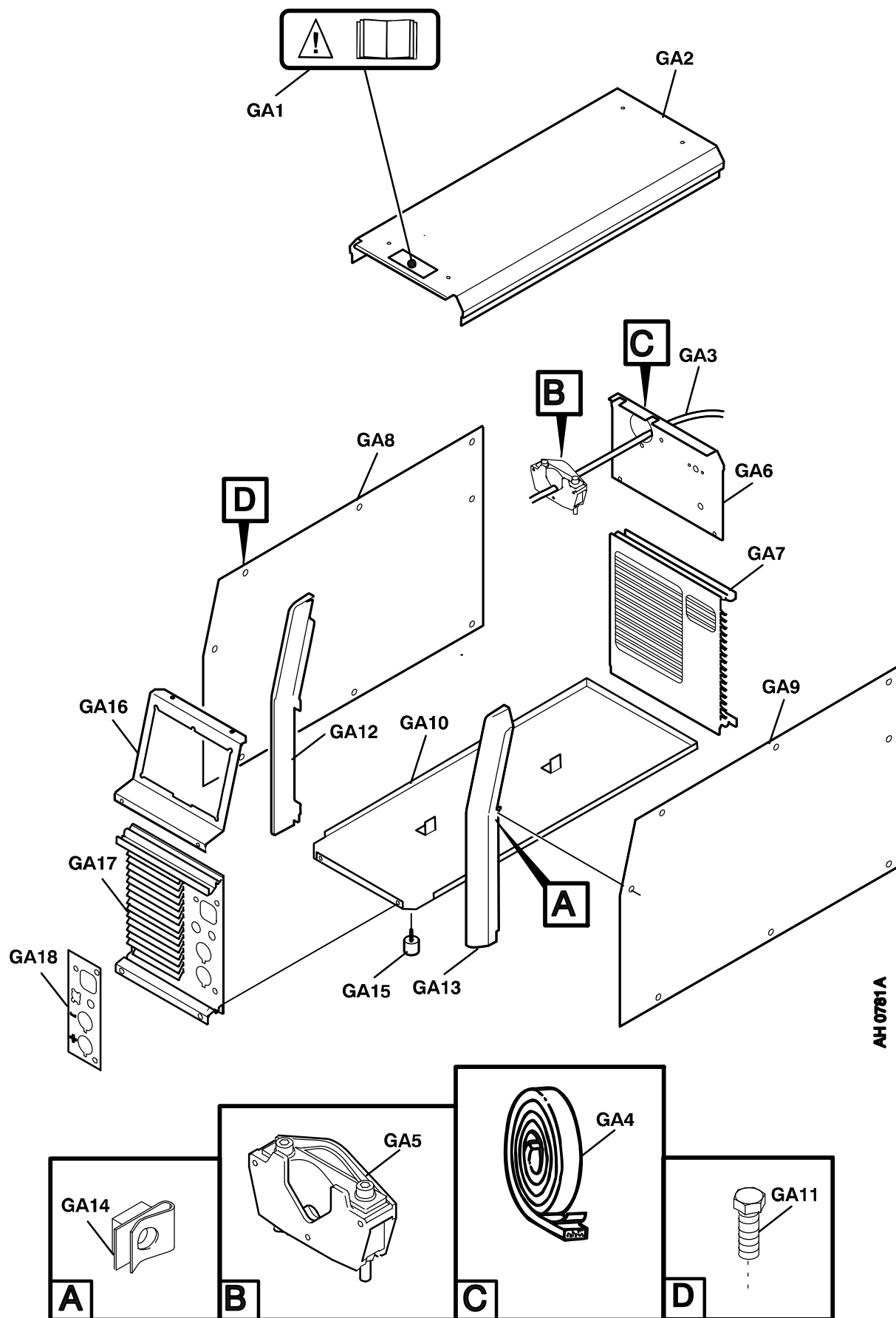
Maintenance and repair work should be performed by an experienced person, and electrical work only by a trained electrician. Use only recommended spare parts.

Rights reserved to alter specifications without notice.

**Tig 3001i**

Item	Qty	Ordering no.	Denomination	Notes
GA1	1	0458 950 001	Sign	
GA2	1	0459 718 003	Cover	
GA3	1	0459 787 880	Mains cable	4x4mm <sup>2</sup>
GA4	1	0192 526 002	Sealing strip	L=1.3m, to be ordered per metre
GA5	1	0469 950 880	Cable inlet	
	3		Screw RXPT	8-16x12
GA6	1	0459 719 005	Rear plate	
GA7	1	0459 725 011	Profile	Rear
GA8	1	0459 720 002	Side panel	Left
GA9	1	0459 720 001	Side panel	Right
GA10	1	0459 724 002	Bottom plate	
GA11		0194 179 327	Screw MRT ground cutter	M5x12
GA12	1	0459 723 002	Front gable	Left
GA13	1	0459 722 002	Front gable	Right
GA14	6	0469 381 002	Fast lock nut	M5
GA15	5	0467 695 001	Rubber foot	
	5		Screw	M6x8
GA16	1	0459 726 005	Front for panel	
GA17	1	0459 725 010	Profile	Front
GA18	1	0459 789 008	Sticker	

Tig 3001i



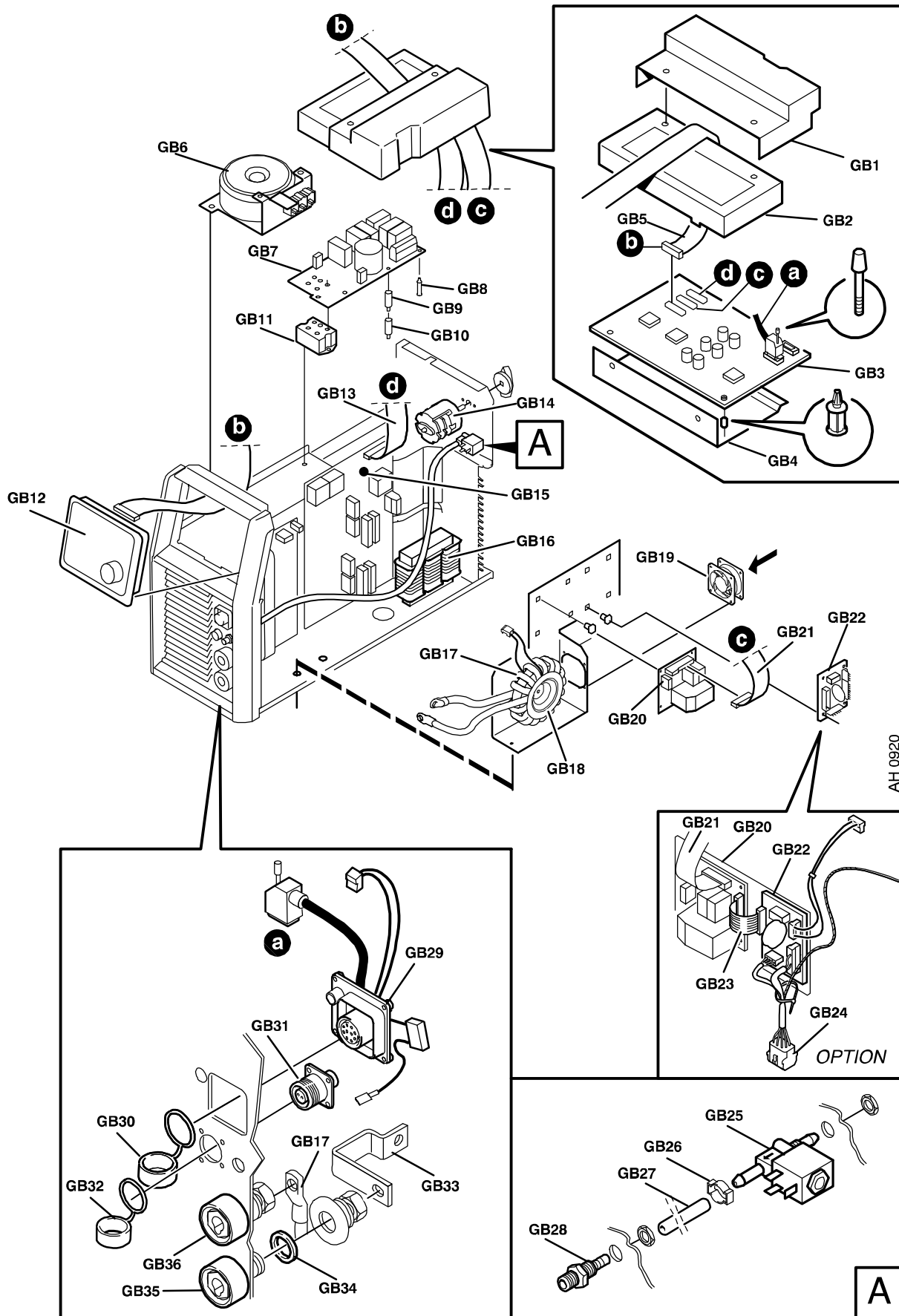
**C = component designation in the circuit diagram**

Item	Qty	Ordering no.	Denomination	Notes	C
GB1	1	0458 881 002	Protection cap		
GB2	1	0458 312 001	Screen box top		
GB3	1	0487 201 991	Circuit board	Configured for Tig 3001i, TA23 (replaces 0487 201 985)	20AP1
	1	0487 201 992	Circuit board	Configured for Tig 3001i, TA24 (replaces 0487 201 986)	
GB4	1	0459 791 001	Screen box bottom		
GB5	1	0193 700 708	Ribbon cable with connectors	34 pole	13XP4, 13XP5
GB6	1	0459 733 001	Control transformer		
	3		Screw	M5x12	
	1	-	Fuse	0.5 A slow	2FU1
	1	-	Fuse	4 A slow	2FU3
	1	-	Fuse	3.15 A slow	2FU2
	1	-	Fuse	5 A	2FU4
GB7	1	0487 622 880	Circuit board	EMC	2AP1
GB8	1	-	Spacer	22.5R	
GB9	2	-	Distance screw	M4x12	
GB10	2	-	Spacer self tapping		
GB11	1	-	Rectifier bridge	Included in item GB51	
GB12	1	0459 773 883	MMC module	TA24. See separate spare parts list	
	1	0459 773 884	MMC module	TA23. See separate spare parts list	
GB13	1	0193 700 705	Ribbon cable with connectors	14 pole	
GB14	1	0455 158 001	Main switch with knob		
GB15			Power module	See page 6	
GB16	1	0460 119 002	Primary inductor	18 A	3L1
GB17	1	0459 923 880	HF-coil, complete		10TV1
GB18	2	0460 035 001	Holder for HF-coil		
GB19	1	0460 030 001	Fan		10EV1
GB20	1	0487 381 880	Circuit board		10AP1
GB21	1	0193 700 709	Ribbon cable with connectors	26 pole	10XS2, 10XS3
GB22	1	0487 637 880	Printed circuit board	Relay	20AP2
GB23	1	0193 700 703	Ribbon cable with connectors	26 pole	20XS31, 20XS30
GB24	1	0460 746 880	Cable assembly for cooler		
GB25	1	0193 054 007	Solenoid valve	With quick connection	10YV1
GB26	1	0368 978 008	Hose clamp	Ø11.3/10.8	
GB27	1	0456 496 001	Hose, red	L=0.65m, Ø9/5mm, to be ordered per metre	
GB28	1	0459 269 001	Gas connection		
GB29	1	0459 901 882	Panel socket	10 pole	
GB30	1	0455 516 001	Protection cap		
GB31	1	0538 500 902	Sleeve terminal	2 pole socket	XS4
GB32	1	0457 626 001	Protection cap		
GB33	1	0459 747 002	Bar	Plus	
GB34	1	0466 325 001	Gasket		
GB35	1	0160 362 881	Welding connection	OKC socket, 1 pole	
GB36	1	0156 868 880	Welding connection	OKC socket, 1 pole	

**SPARE PARTS SETS**

Item	Ordering no.	Denomination	Notes
GB51	0458 920 881	Rectifier set	Includes item GB11 rectifier bridge, thermal compound, roller and mounting instruction.
	0458 910 002	Roller handle	For the roller in the spare parts set above.

Tig 3001i



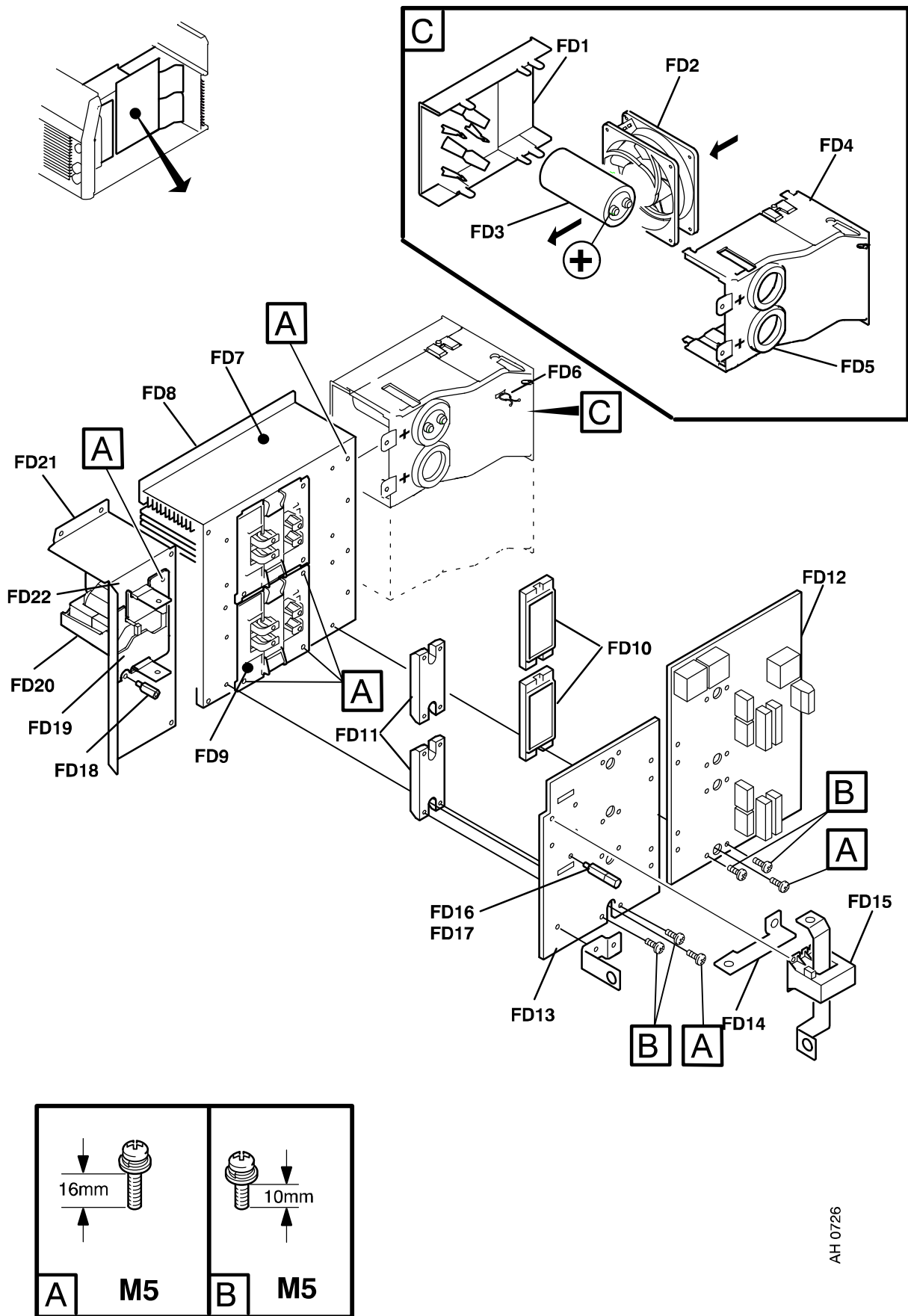
**C = component designation in the circuit diagram**

Item	Qty	Ordering no.	Denomination	Notes	C
			<b>Power module</b>	<b>Complete item FD1 - FD22</b>	
FD1	2	0459 744 001	Air guide rear		
FD2	2	0467 801 002	Fan with calbe		15EV1,15EV2
FD3	2	0194 158 002	Smoothing capacitor		15C1, 15C2
FD4	2	0459 743 001	Air guide front		
FD5	2		Blind plug		
FD6	2		Cable saddle assembly		
FD7	1	0459 728 001	Heat sink		
FD8	1	0192 526 002	Sealing strip	0.525m, to be ordered per meter	
FD9	2	0459 736 880	Transformer		15TM1, 15TM2
FD10	2		Primary module	Included in item FD50	IC3, IC8
FD11	2		Diode module	Included in item FD51	15D1, 15D2
FD12	1		Circuit board	Power board, Included in item FD50	15AP1
FD13	1	0487 692 880	Circuit board	Secondary board (replaces 0487 325 880)	15AP2
FD14	1	0459 794 001	Bar middle		
FD15	1	0458 063 001	Current sensor		15AP3
FD16	1		Distance screw	M5x20	
FD17	1		Spacer screw	M5x12	
FD18	1		Spacer screw	M5x15	
FD19	2		Sealing		
FD20	1	0459 751 880	Inductor secondary		15L3
FD21	1	0459 746 001	Bracket heatsink		
FD22	1	0191 193 121	Tape	L=0.50m, to be ordered per metre	

**SPARE PARTS SETS**

Item	Ordering no.	Denomination	Notes
FD50	0459 384 882	Power board set	Includes item FD10, FD12, screws, thermal compound and roller
FD51	0459 385 882	Diode module set	Includes item FD11, screws, thermal compound and roller.
	0458 910 002	Roller handle	For the roller in the spare parts set above.

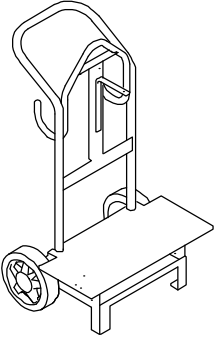
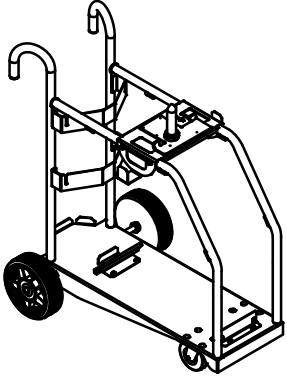
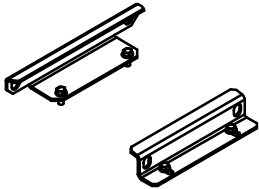
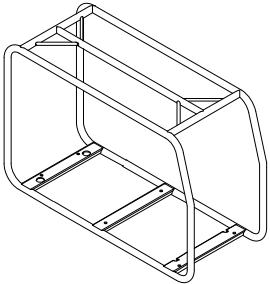
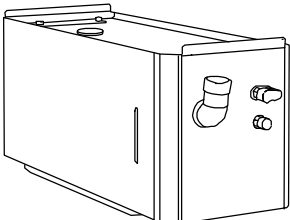
Tig 3001i



AH 0726

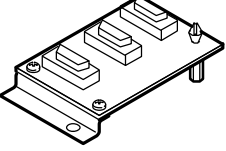
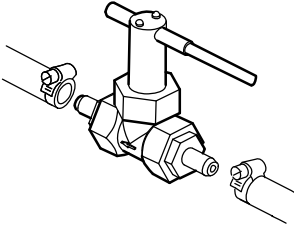
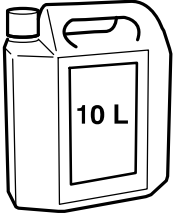



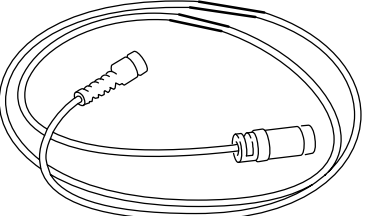

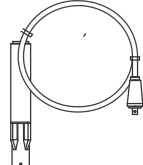
# Tig 3001i

## Accessories

	<b>Trolley with two wheels</b> ..... 0460 564 880
	<b>Trolley with four wheels</b> ..... 0460 565 880
	<b>Mounting brackets</b> ..... 0460 911 880
	<b>Protection frame</b> ..... 0460 459 880 <i>Only for air version</i>
	<b>Cooling unit CoolMidi 1000</b> ..... 0460 490 880



**Tig 3001i**

	<p><b>Connection kit for cooling unit</b> ..... 0460 685 881  <i>valid before serial no. 039-xxx-xxxx</i></p> <p><b>Connection kit for cooling unit</b> ..... 0460 685 880  <i>valid from serial no. 039-xxx-xxxx</i></p>
	<p><b>Water flow guard 0.7 l/min</b> ..... 0456 855 881</p>
	<p><b>Coolant (Ready mixed) 50% water and 50% mono-ethylene glycol (10 l)</b> ..... 0007 810 012</p>
	<p><b>Remote control unit MTA1 CAN</b> ..... 0459 491 880  MIG/MAG: wire feed speed and voltage MMA:  current and arc force  TIG: current, pulse and background current</p>
	<p><b>Remote control unit AT1 CAN</b> . . . . . 0459 491 883  MMA and TIG: current</p>
	<p><b>Remote control unit AT1 CF CAN</b> ..... 0459 491 884  MMA and TIG: rough and fine setting of current.</p>
	<p><b>Remote control cable 10 pole - 4 pole</b></p> <p>5 m ..... 0459 960 880  10 m ..... 0459 960 881  25 m ..... 0459 960 882</p>
	<p><b>Return cable 4.5 m 50 mm<sup>2</sup></b> ..... 0156 743 907</p>
	<p><b>Welding cable 5 m with electrode holder</b>  Handy 300 ..... 0700 006 888</p>

**Tig 3001i**

	<b>Tig torch TXH 200</b> 4 m .....	0460 012 840
	<b>Tig torch TXH 200</b> 8 m .....	0460 012 880
	<b>Tig torch TXH 250w</b> 4 m .....	0460 013 840
	<b>Tig torch TXH 250w</b> 8 m .....	0460 013 880

More information on Tig torches can be found in separate brochures.

NOTES

Dotted lines for writing notes.

